

## Gerstenberg Schröder Resting Tube

### GS Resting Tube Benefits:

#### CONSISTENCY

A resting tube is mandatory for consistency and high product performance for packed products, especially table, cake and puff pastry margarine.

The resting phase is important to your production cycle because this is where final crystallisation of the product occurs. Without proper final crystallisation, consistency and performance of the product can be compromised. We have the perfect solution in the resting phase as the GS resting tube gives the product sufficient time to form and settle for high quality product performance every time. We manufacture equipment with high quality materials so you achieve better and more consistent results in processing. The GS resting tube is made of AISI 316 stainless steel and is equipped with a heating jacket to prevent the product from sticking. It has an internal sieving mechanism for uniform crystallisation. All these attributes help ensure a constant steady flow rate necessary for a superior end product.

#### FLEXIBILITY

The GS resting tube is fully compatible with a wide range of different packing machine brands. Two different types of tubes



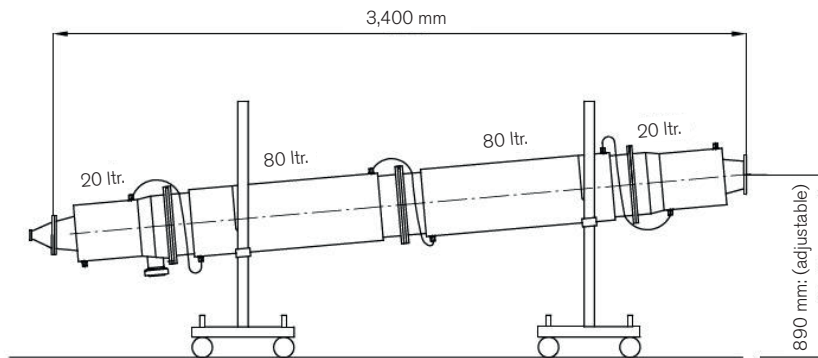
are available, one for table margarine and one for puff pastry margarine. Optional accessories include a connecting piece to the packing machine, CIP valves, pneumatic return valves and a water attemperation unit.

#### MATERIALS

Product contacting parts are made of stainless steel AISI 316.

GS RESTING TUBE	VOLUME PER SECTION [L]	SIZE [DIAMETER MM*]	VOLUME OF INLET [L]	VOLUME OF OUTLET [L]	OUTLET FLANGE [DIAMETER MM*]
FOR TABLE MARGARINE	20	150	0.5	0.5	150
FOR TABLE MARGARINE	30	150	0.5	0.5	150
FOR TABLE MARGARINE	50	150	0.5	0.5	150
FOR TABLE MARGARINE	30	200	4	4	200
FOR TABLE MARGARINE	50	200	4	4	200
FOR INDUSTRIAL AND PUFF PASTRY MARGARINE	80	300	20	20	150
FOR INDUSTRIAL AND PUFF PASTRY MARGARINE	160	450	86	185/20	450/150

\* Choice of diameter depends on the capacity of the line.



The GS resting tube is delivered with strainers, standard inlet cone, and is mounted on a frame. Pneumatic 3-ways valve can be supplied.

# SPXFLOW

SPX FLOW Oestmarken 7, 2860 Soeborg, Denmark

P: +45 70 278 222, F: +45 70 278 223

E: gs.dk.sales@spxflow.com · www.spxflow.com

SPX FLOW reserves the right to incorporate our latest design and material changes without notice or obligation. Design features, materials of construction and dimensional data, as described in this bulletin, are provided for your information only and should not be relied upon unless confirmed in writing. Please contact your local sales representative for product availability in your region. For more information visit [www.spxflow.com](http://www.spxflow.com). The green ">" is a trademark of SPX FLOW, Inc.

GS\_Resting-tube\_602\_DST\_GB Version 04/2021

COPYRIGHT © 2016 SPX FLOW, Inc.